



Design  
**SUPPLIED BY HONEYWELL**

Handling  
**Lauren Callaghan**  
lauren@wearegood.com

Artwork  
**Michelle Matuza**  
michelle@wearegood.com

# PROOF

London

**5 Cowcross Street**  
**Farringdon, EC1M 6DW**  
**+44 (0)203 174 1587**

Glasgow

**South Block, Top Floor**  
**64 Osborne Street**  
**Glasgow, G1 5QH**  
**+44 (0)141 204 3090**

Email

**info@wearegood.com**

**Please note:**

It is the responsibility of the client to check the proof thoroughly for content, layout, contact details and any mandatory details/sizes.

Good™ shall not be held liable for any visible errors not corrected by the client prior to written sign-off being given.

Job number: **6503**

Client: **HONEYWELL**

Project: **HR91 QuickStartGuide(EN-BG-CZ-HU-PL-RO-SK-UA)\_V2**

Dimensions: **270 × X 270mm**

Scale: **100**

Date: **13 July 2017 10:12 AM**

Version: **01**

**AW ORIGINATED FROM HW - TEXT UPDATES BY GOOD**

**Proofing notes:**

If req'd

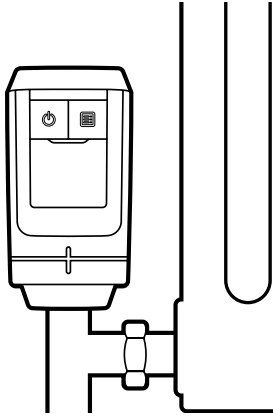
Inks & Specials:



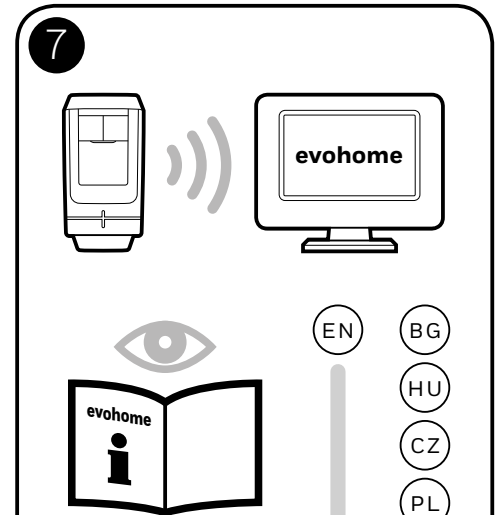
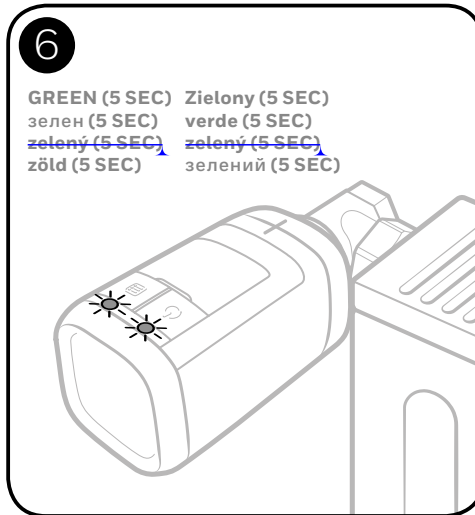
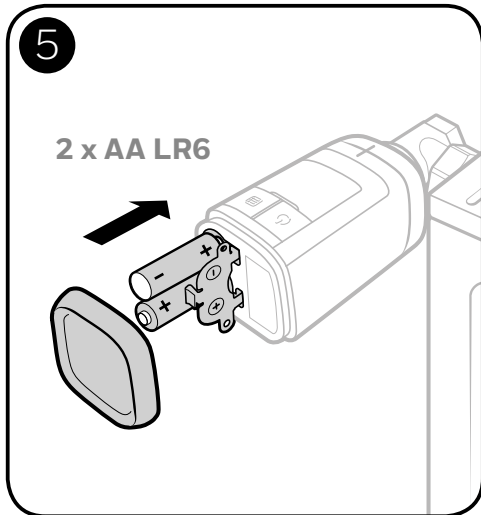
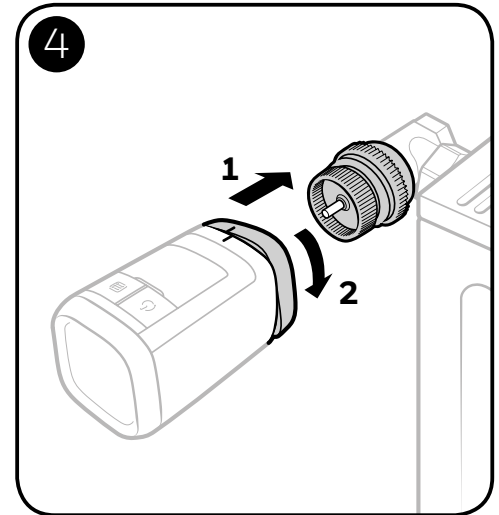
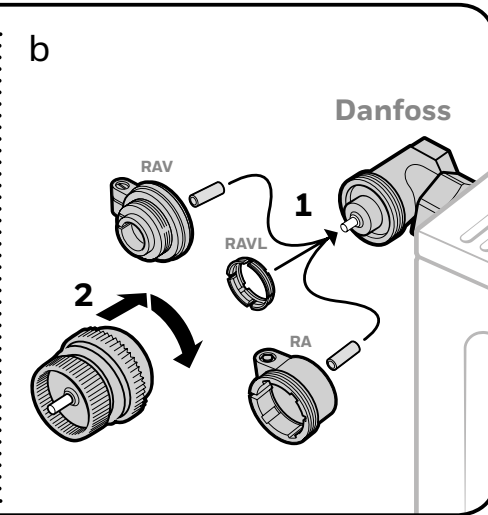
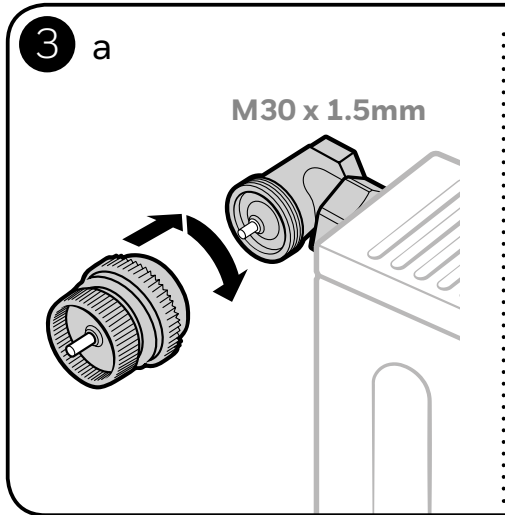
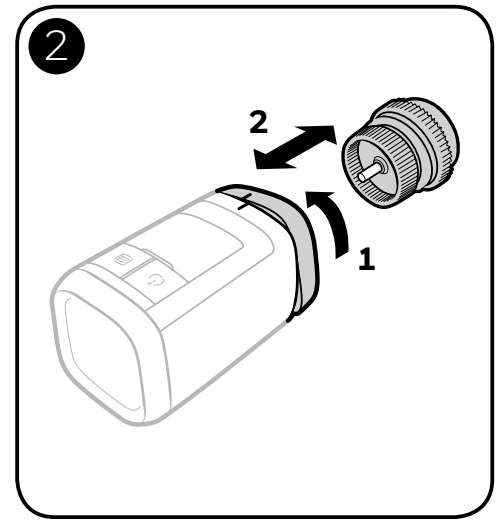
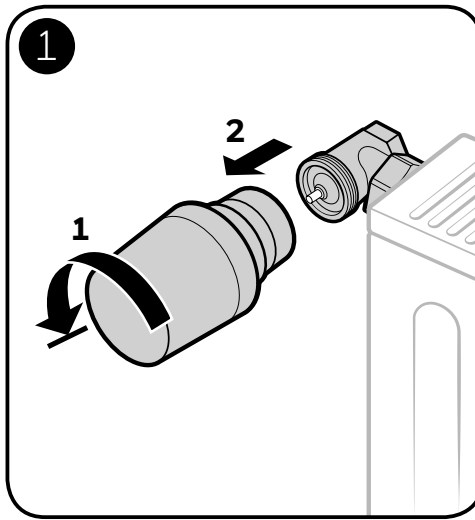
evohome

HR91

- EN
- BG
- CZ
- HU
- PL
- RO
- SK
- UA



32325381-001-B



- EN
- BG
- HU
- CZ
- PL
- RO
- SK
- UA

**evohome**

1. Press and hold **SETTINGS** for 3 seconds.
2. Press the green tick
3. Press **ADD ZONE**.
4. Type a name for the new zone and press the green tick
5. Press **RADIATOR VALVE**.
6. If you want to control the zone temperature with the evohome Controller (which needs to be located in that zone) press **YES**, otherwise press **NO**.

**HR91**

7. Press the binding button for 5 secs.
8. The LED will flash **AMBER** for up to 2 mins whilst binding.
9. Successful binding is confirmed by LED showing permanent **GREEN** for 5 secs.

**evohome**

10. You should receive a **SUCCESS** message on the **evohome** Controller (if not go back and re-bind).
11. Either press the green tick  to add another radiator to the zone or press the red cross  if you don't need to add another radiator to the zone. **You must repeat these steps for each radiator controller.**

